



# AMALA COLLEGE OF NURSING

(An undertaking of Amala Cancer Hospital Society)

Amala Nagar P.O., Thrissur-680 555, Kerala, India.

Website : [www.amalanursingcollege.org](http://www.amalanursingcollege.org)

**FIRST CYCLE NAAC ACCREDITATION 2022**

## CRITERION 6

### GOVERNANCE, LEADERSHIP AND MANAGEMENT

#### 6.2. Strategy Development and Deployment

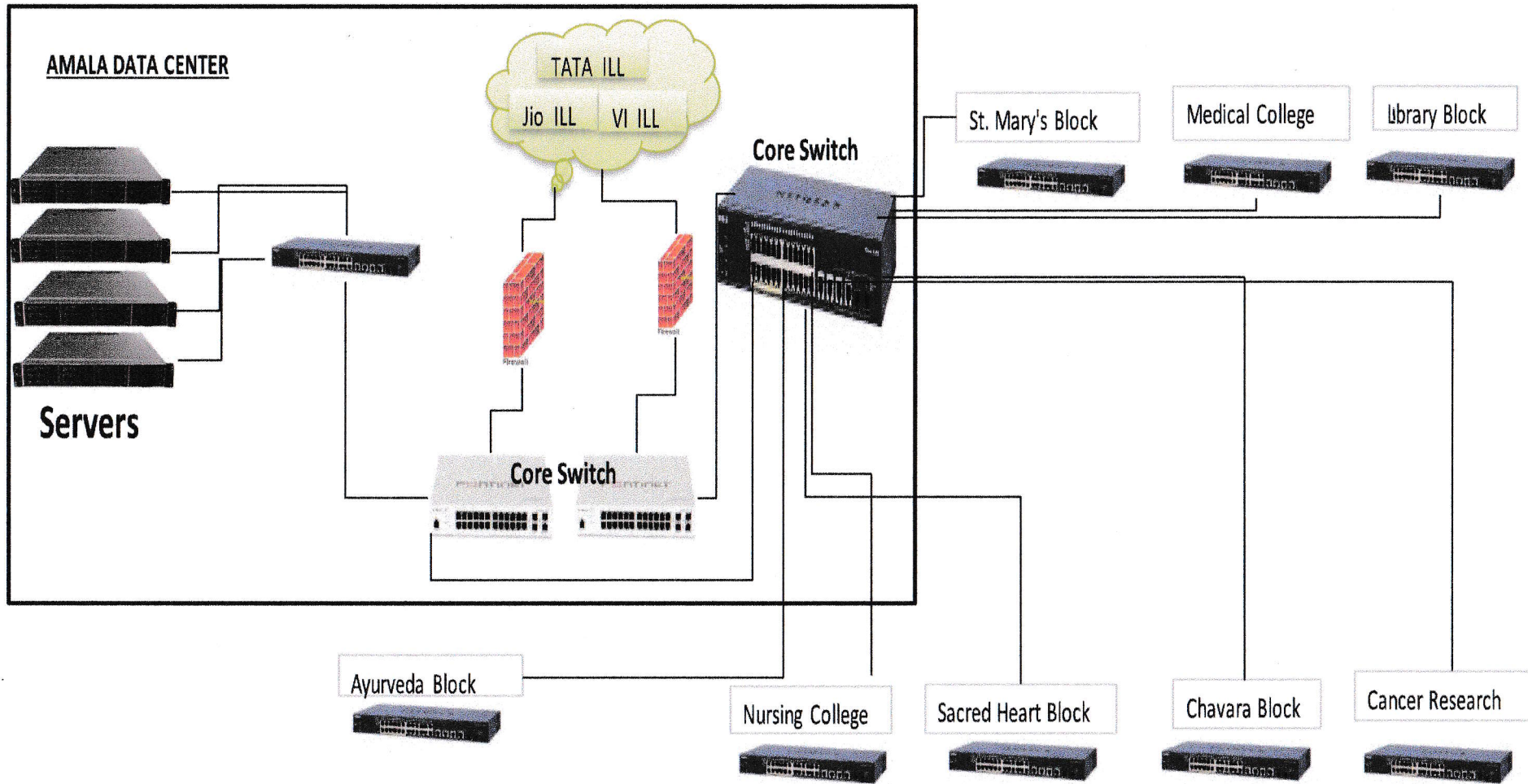
*6.2.2 E – Governance Architecture document*

*Submitted to*



**THE NATIONAL ASSESSMENT AND ACCREDITATION COUNCIL**

# AMALA CAMPUS NETWORK DIAGRAM



# Campus Digital Framework

